

GHI

ARCHITECTURAL SOLUTIONS



ALUMINIUM HARDWARE | SEALANTS, TOOLS AND ACCESSORIES

NUFOLD
folding door systems

OLIVÉ
QUÍMICA


TAURUS
DOORWARE

securistyle



GHI PRODUCT RANGE

Aluminium window and door hardware
Silicone sealants, tapes and glass
processing tools and accessories

Silhouette Frameless Glass Systems

CONTENTS

02

Aluminium Hardware

WINDOWS

Friction Stays	02
Restrictors	08
Handles	09

10

SLIDING DOOR AND WINDOW HARDWARE

Patio Door Hardware	10
GHI Rollers	11

12

WEATHERPILES, SEALS AND GASKETS

Woolpile	12
Finpile	12
Bubble Seals	13
Gaskets	13
Patio Door Gaskets	13

14

DOOR HARDWARE

Locks	14
Cylinders	16
Handles	17
Hinges	18
Flushbolts	18
Door Controls	19

20

NUFOLD

NuFold Sliding / Folding Door Hardware	20
--	----

25

WINDOW LOUVRES

Aluminium Window Louvres	25
--------------------------	----

26

SILICONE SEALANTS

TAPES AND GLASS PROCESSING

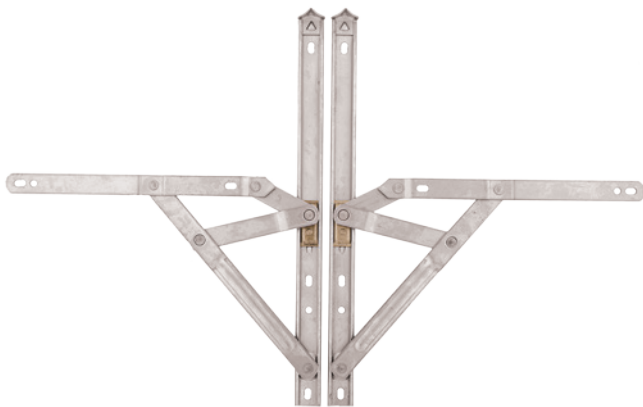
TOOLS AND ACCESSORIES

Olivé Silicone Sealants	26
Silicone Guns	30
GHI Lubricant Sprays	32
Tapes	34
Glass Processing Tools and Accessories	36

ALUMINIUM HARDWARE

WINDOWS

GHI TOP HUNG FRICTION STAY



A023

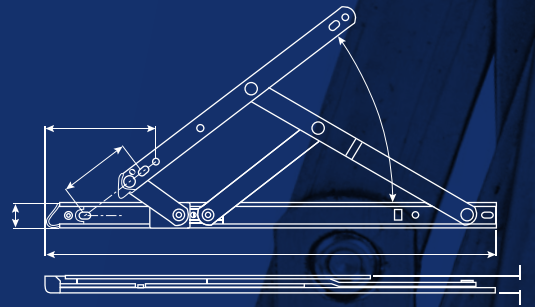


GHI SIDE HUNG FRICTION STAY



A080

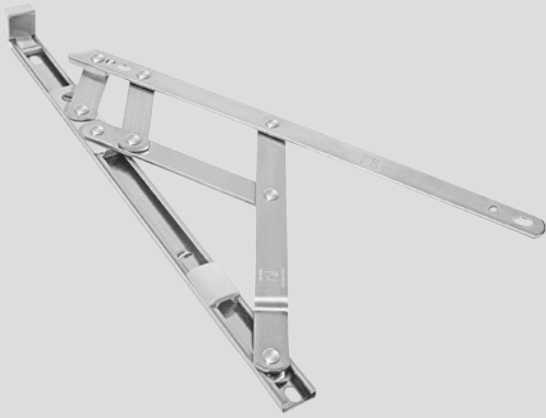
GHI Friction Stays provide quality, smooth operation, reliability and strength whilst offering excellent value-for-money



CODE	SIZE	TYPE	MAX VENT HEIGHT	MAX VENT WEIGHT	SLIDER	MATERIAL	STACK HEIGHT	MAX OPENING ANGLE
A010	200mm	Top hung	300mm	7kg	Brass	304SS	13mm	70°
A023A	300mm	Top hung	450mm	10kg	Brass	304SS	13mm	90°
A031	400mm	Top hung	600mm	13kg	Nylon	304SS	13mm	90°
A040	500mm	Top hung	750mm	16kg	Nylon	304SS	13mm	50°
A051	600mm	Top hung	900mm	30kg	Nylon	304SS	13mm	45°
A015	200mm	Top hung	300mm	7kg	Brass	430SS	13mm	70°
A025	300mm	Top hung	450mm	10kg	Brass	430SS	13mm	90°
A026	300mm	Top hung	450mm	10kg	Nylon	430SS	13mm	90°
A035	400mm	Top hung	600mm	13kg	Nylon	430SS	13mm	90°
A045	500mm	Top hung	750mm	16kg	Nylon	430SS	13mm	50°
A055	600mm	Top hung	900mm	30kg	Nylon	430SS	13mm	45°



CODE	SIZE	TYPE	MAX VENT HEIGHT	MAX VENT WEIGHT	SLIDER	MATERIAL	STACK HEIGHT	MAX OPENING ANGLE
A080	300mm	Side hung	600mm	18kg	Nylon	304SS	13mm	60°
A085	300mm	Side hung	600mm	18kg	Nylon	430SS	13mm	60°



SECURISTYLE DEFENDER STANDARD FRICTION STAYS

- Extended enclosed end cap to enhance weather sealing Asymmetric location system for reliable weather sealing
- Handed 'profiled' vent arm further enhancing weather seal
- Patented lipped slider for enhanced smooth operation
- Easy friction adjustment without metal to metal contact
- Long and reliable working life tested to 30,000 cycles
- Unique patented, robust cam friction device eliminates any risk of friction screw misuse

CODE	PRODUCT NUMBER	STAY SIZE	TYPE	MAX VENT HEIGHT	MIN VENT HEIGHT	MAX VENT WEIGHT	MATERIAL	STACK HEIGHT	MAX OPENING ANGLE ± 2.5°
A101	EDT10A	259mm	Top hung	400mm	275mm	16kg	304SS	13–14mm	80°
A102	EDT12A	310mm	Top hung	550mm	350mm	20kg	304SS	13–14mm	80°
A075A	EDT16A	412mm	Top hung	780mm	500mm	21kg	304SS	13–14mm	80°
A046	EDT20A	513mm	Top hung	1100mm	700mm	26kg	304SS	13–14mm	50°
A050	EDT24A	615mm	Top hung	1300mm	850mm	40kg	304SS	13–14mm	37.5°
A073	EDT10	259mm	Top hung	400mm	275mm	16kg	430SS	13–14mm	80°
A103	EDT12	310mm	Top hung	550mm	350mm	20kg	430SS	13–14mm	80°
A076A	EDT16	412mm	Top hung	780mm	500mm	21kg	430SS	13–14mm	80°
A077	EDT20	513mm	Top hung	780mm	500mm	21kg	430SS	13–14mm	80°
A052	EDT24	615mm	Top hung	1300mm	850mm	40kg	430SS	13–14mm	37.5°

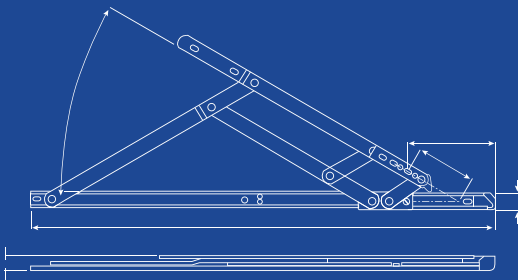
CODE	PRODUCT NUMBER	STAY SIZE	TYPE	MAX VENT WIDTH	MIN VENT WIDTH	MAX VENT WEIGHT	MATERIAL	STACK HEIGHT	MAX OPENING ANGLE ± 2.5°
A070	EDS12A	310mm	Side hung	600mm	300mm	22kg	304SS	13–14mm	60°
A075	EDS16A	412mm	Side hung	700mm	400mm	24kg	304SS	13–14mm	60°
A071	EDS12	310mm	Side hung	600mm	300mm	22kg	430SS	13–14mm	60°
A076	EDS16	412mm	Side hung	700mm	400mm	24kg	430SS	13–14mm	60°



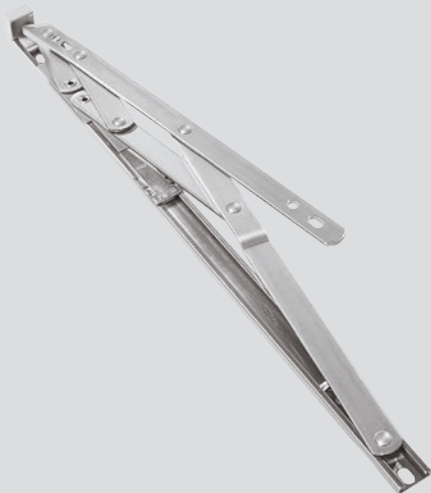
SECURISTYLE DEFENDER EGRESS FRICTION STAYS

- Allows casement windows to comply with Building Regulations for fire escape windows
- 16" Hinge opens to a full 90° for emergency exit
- Composite slider with stainless steel release lever mechanism allows cleaning access from the inside of the building
- Automatically resets to the fire escape mode when the window is closed
- Self-lubricating PTFE based coating on end cap provides smooth closing
- Die cast support plate in bottom slider ensures consistent performance

CODE	PRODUCT NUMBER	STAY SIZE	TYPE	MAX VENT WIDTH	MIN VENT WIDTH	MAX VENT WEIGHT	MATERIAL	STACK HEIGHT	MAX OPENING ANGLE ± 2.5°
A200	EDSE16	412mm	Side hung	780mm	500mm	21kg	430SS	13–14mm	80°



Securistyle Defender
Standard Friction Stays Long and
reliable working life tested to
30,000 cycles



SECURISTYLE DEFENDER RESTRICTED FRICTION STAYS

- Built-in mechanism limits initial opening
- Extended enclosed end cap to enhance weather sealing
- Built-in release lever allows the window to be fully opened for easy cleaning
- Restrictor automatically relocates and resets when the window is closed

*Side hung restricted friction stays sold singularly require an opposite hand standard friction stay. As only one side hung restricted friction stay is required this must be fitted as the bottom friction stay. Top hung restricted friction stays are sold in pairs and must be fitted as pairs.

CODE	PRODUCT NUMBER	STAY SIZE	TYPE	MAX VENT HEIGHT	MIN VENT HEIGHT	MAX VENT WEIGHT	MATERIAL	STACK HEIGHT	MAX OPENING ANGLE ± 2.5°
A700	EDTR12	310mm	Top hung	550mm	350mm	20kg	430SS	13–14mm	14°/65°
A701	EDTR16	412mm	Top hung	780mm	500mm	21kg	430SS	13–14mm	10°/59°
A702	EDTR20	513mm	Top hung	1100mm	700mm	26kg	430SS	13–14mm	8°/50°
A061	EDTR24	615mm	Top hung	1300mm	850mm	40kg	430SS	13–14mm	7°/37.5°
A087	EDTR12A	310mm	Top hung	550mm	350mm	20kg	304SS	13–14mm	14°/65°
A038	EDTR16A	412mm	Top hung	780mm	500mm	21kg	304SS	13–14mm	10°/59°
A047	EDTR20A	513mm	Top hung	1100mm	700mm	26kg	304SS	13–14mm	8°/50°
A060	EDTR24A	615mm	Top hung	1300mm	850mm	40kg	304SS	13–14mm	7°/37.5°

CODE	PRODUCT NUMBER	STAY SIZE	TYPE	MAX VENT WIDTH	MIN VENT WIDTH	MAX VENT WEIGHT	MATERIAL	STACK HEIGHT	MAX OPENING ANGLE ± 2.5°
A720	EDSR12L	310mm	Side hung	600mm	300mm	22kg	430SS	13–14mm	13°/58°
A721	EDSR12R	310mm	Side hung	600mm	300mm	22kg	430SS	13–14mm	13°/58°
A722	EDSR16R	412mm	Side hung	700mm	400mm	24kg	430SS	13–14mm	11°/58°
A723	EDSR16L	412mm	Side hung	700mm	400mm	24kg	430SS	13–14mm	11°/58°
A725	EDSR12AL	310mm	Side hung	600mm	300mm	22kg	304SS	13–14mm	13°/58°
A724	EDSR12AR	310mm	Side hung	600mm	300mm	22kg	304SS	13–14mm	13°/58°
A036	EDSR16AR	412mm	Side hung	700mm	400mm	24kg	304SS	13–14mm	11°/58°
A037	EDSR16AL	412mm	Side hung	700mm	400mm	24kg	304SS	13–14mm	11°/58°



SECURISTYLE STORM STANDARD FRICTION STAYS

- Unrivalled weather sealing from its asymmetric metal point and cap as well as smooth reliable operation
- Capable of achieving high gust loading
- Complies to the requirements of AAMA 101, 904 and 910 for cyclic, strength and weather performance testing
- Superior carrying capacity of up to 120kg
- Composite slider eliminates metal to metal contact for a long and reliable working life
- Track width 23mm

It is only by consistently developing our products and services that we will remain global leaders. Together with the whole team, we pledge to listen to our customers, to anticipate their future needs and deliver, consistently, with professionalism that sets us above and beyond our clients' expectations

CODE	PRODUCT NUMBER	STAY SIZE	TYPE	MAX VENT HEIGHT	MIN VENT HEIGHT	MAX VENT WEIGHT	MATERIAL	STACK HEIGHT	MAX OPENING ANGLE ± 2.5°
A130	STORMB10	259mm	Top Hung	635mm	267mm	37kg	304SS	16mm	50°
A110	STORMB12	310mm	Top Hung	787mm	635mm	45kg	304SS	16mm	50°
A140	STORMB16	412mm	Top Hung	1090mm	787mm	55kg	304SS	16mm	50°
A120	STORMB22	567mm	Top Hung	1500mm	1090mm	75kg	304SS	16mm	45°
A150	STORMB26	680mm	Top Hung	2200mm	1270mm	120kg	304SS	16mm	20°

CODE	PRODUCT NUMBER	STAY SIZE	TYPE	MAX VENT WIDTH	MIN VENT WIDTH	MAX VENT WEIGHT	MATERIAL	STACK HEIGHT	MAX OPENING ANGLE ± 2.5°
A130A	STORMBS10	259mm	Side Hung	665mm	280mm	38kg	304SS	16mm	80°
A140A	STORMBS16	412mm	Side Hung	838mm	457mm	47kg	304SS	16mm	90°

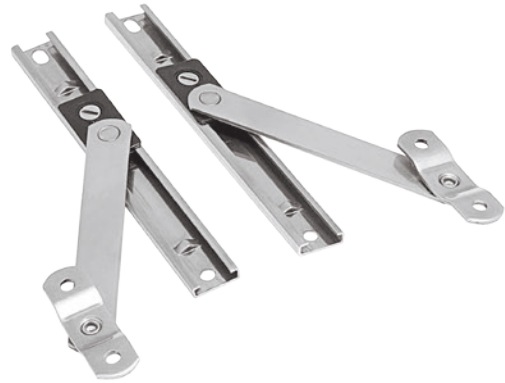
SECURISTYLE DETACHABLE RESTRICTOR (KEY RELEASE)



A069

- Easy to fit with no routing
- Non handed product to reduce stock inventory
- Can be used on windows without reinforcement
- Suitable for 16mm to 18mm cavity heights
- Compatible with all Securistyle commercial hinges
- Key available separately

SECURISTYLE PERMANENT LIGHT DUTY RESTRICTOR



A066

- In normal operation the restrictor allows the vent to open until the slider engages against the opening stop in the track
- Capable of complying with BS6375-2 and EN13126-5
- Device provides additional friction for windows
- Available in ferritic* stainless steel
- 10 Year Guarantee (details available upon request)

CODE	PART NUMBER	TRACK LENGTH	PIVOT ARM LENGTH
A069	SDR4	150mm	101.6mm
A067	SDR6	200mm	152.4mm
A064	SDR8	200mm	203.2mm
A063	SDR10	250mm	254mm
A068	R7437	Release key (Keyed alike)	

CODE	PART NUMBER	RESTRICTS THE OPENING TO	MATERIAL
A066	RS6	80 to 200mm	430SS
A065	RS9	100 to 300mm	430SS

GHI HANDLES EUROLINE



B500B ■



B510 ■

GHI HANDLES MILANO



B702 ■

SECURISTYLE HANDLES VIRAGE COCKSPUR



B130 □

CODE	HAND	NON / LOCKING	COLOUR	
B500B	Right	Non-Locking	Black	■
B505B	Left	Non-Locking	Black	■
B520	Right	Non-Locking	White	□
B525	Left	Non-Locking	White	□
B530	Right	Non-locking	Silver	■
B535	Left	Non-locking	Silver	■
B540	Right	Non-locking	Bronze	■
B545	Left	Non-locking	Bronze	■
B510	Right	Locking	Black	■
B515	Left	Locking	Black	■

CODE	HAND	NON / LOCKING	COLOUR	
B702	Right	Non-locking	Black	■
B701	Left	Non-locking	Black	■
B720	Right	Non-locking	White	□
B725	Left	Non-locking	White	□
B730	Right	Non-locking	Silver	■
B735	Left	Non-locking	Silver	■
B740	Right	Non-locking	Bronze	■
B745	Left	Non-locking	Bronze	■

CODE	HAND	NON / LOCKING	COLOUR	
B220	Right	Non-locking	Black	■
B250	Left	Non-locking	Black	■
B221	Right	Non-locking	White	□
B251	Left	Non-locking	White	□
B402	Right	Non-locking	Silver	■
B407	Left	Non-locking	Silver	■
B130	Right	Locking	White	□
B140	Left	Locking	White	□
B040	-	Striker plate	Black	■
B041	-	Striker plate	White	□

ALUMINIUM HARDWARE

SLIDING DOOR AND WINDOW HARDWARE

GHI PATIO DOOR HARDWARE

CODE	DESCRIPTION	COLOUR	
C010	Patio door handle complete with stopper & keep	Black	■
C010A	Patio door handle only	Black	■
C020	Patio door stopper	Black	■
C021	Patio door E-keep	Black	■
C030	Patio door cylinder	-	
C050	Patio door night lock	Black	■
C051	Patio door night lock	White	□
C052	Patio door night lock	Chrome	■
C053	Patio door night lock	Bronze	■
C071	Keyless patio door night lock	Black	■
C072	Keyless patio door night lock	Chrome	■
C040	Mini patio door handle	Black	■

ELITE PATIO DOOR HARDWARE

CODE	DESCRIPTION	COLOUR	
C014	Patio Door handle (with cylinder)	Black	■
C014A	Patio door handle without latch	Black	■
C014B	Patio door handle outer pull	Black	■



C010 ■



C020 ■



C021 ■



C030



C050 ■



C040 ■



C014 ■

GHI is the leading distributor of hardware to the architectural aluminium industry in South Africa

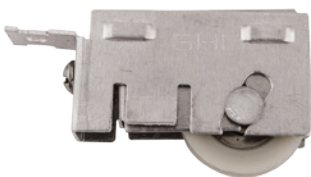


SLIDING DOOR HARDWARE
GHI ROLLERS

CODE	DESCRIPTION	CASING MATERIAL	ROLLER	MAX CARRYING CAPACITY PER PAIR (KG)
C080	Bottom roller for aluminium door profiles	Cast aluminium	Brass	120
C081	Bottom roller for aluminium door profiles	Cast aluminium	Nylon	70
SF001	Self-levelling, adjustable tandem roller	304 Stainless steel	Nylon	100
C065	Bottom single roller for aluminium doors	Cast aluminium	Nylon	40
C068	Bottom single roller for aluminium doors	304gr Stainless steel	Nylon	40
C070	Bottom double roller for aluminium doors	Cast aluminium	Nylon	80
C140	Shower door roller with 9mm screw	Brass	Nylon	-
C142	Shower door roller with 30mm screw	Brass	Nylon	-
C130	Shower door wheel (spider type)	-	Nylon	-
C148	Shower door wheel with silver screw (AGI type)	-	Nylon	-



SF001



C065



C068



C070



C080



C081



C142



C140



C130

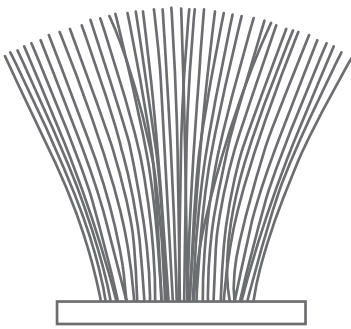


C148

ALUMINIUM HARDWARE

WEATHERPILES SEALS AND GASKETS

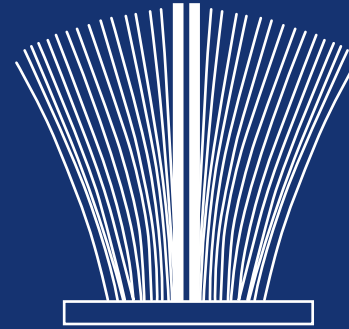
WOOLPILE



CODE	BASE WIDTH	BRUSH LENGTH	ROLL LENGTH
D010A	4.8mm	4.5mm	550m
D020A	4.8mm	5mm	500m
D070A	6.7mm	4.75mm	375m
D080A	6.7mm	5mm	375m
D090A	6.7mm	6mm	325m
D120A	6.7mm	9mm	175m



FINPILE



CODE	BASE WIDTH	FIN HEIGHT	ROLL LENGTH
D040A	4.8mm	5mm	700m
D081	6.7mm	5mm	550m
D075A	6.7mm	6mm	550m
D121	6.7mm	9mm	350m





D060



SGW0014



D069



E121



E122



E123



E124



E010



E020



E030

BUBBLE SEALS

CODE	BASE WIDTH	HEIGHT	MATERIAL	ROLL LENGTH
D060	4.8mm	5mm	Santoprene	300m
D063	6.7mm	5mm	Santoprene	400m

GASKETS

CODE	DESCRIPTION	BASE WIDTH	HEIGHT	MATERIAL	ROLL LENGTH
D069	Y Gasket	4.8mm	5mm	Santoprene	200mm
SGW0014	Universal Gasket	6.7mm	8mm	EPDM	100mm

CODE	DESCRIPTION	GLAZING GAP	MATERIAL	ROLL LENGTH
E121	Butterfly Gasket	3mm	PVC	100m
E085	Wedge Gasket	3-4mm	PVC	100m
E122	Wedge Gasket	2mm	PVC	100m
E123	Wedge Gasket	3mm	PVC	100m
E124	Wedge Gasket	5mm	PVC	100m

PATIO DOOR GASKETS

CODE	DESCRIPTION	GLASS SIZE	MATERIAL	ROLL LENGTH
E010	'U' channel gasket	4mm	PVC	100m
E020	'U' channel gasket	5mm	PVC	100m
E030	'U' channel gasket	6.5mm	PVC	100m

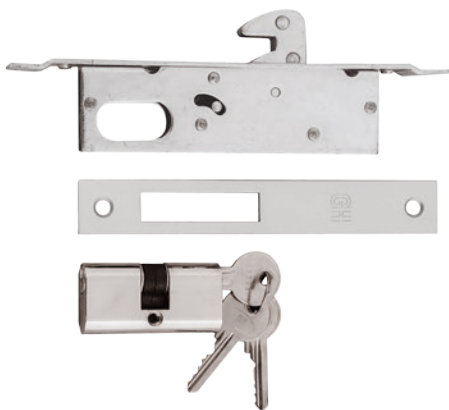
DOOR HARDWARE

GHI LOCKS

CODE	DESCRIPTION	BACK SET
F010	Deadlock with cylinder	20mm
F021	Hooklock with cylinder	20mm



F010



F021

We offer a superior range of strong, high-durability locks that are designed to withstand even the most rigorous daily use, and a variety of applications



TAURUS LOCKS

CODE	DESCRIPTION	BACK SET
F085	Latch and dead lock with 60mm cylinder	25mm
F086	Latch and dead lock with 60mm cylinder	35mm
F089	Slam hook lock with anti-lift pin	15mm
F093	Roller and dead lock	25mm
F094	Roller and dead lock	35mm
F095	Dead Lock	25mm
F096	Dead Lock	35mm
F090	Hook lock with latch	25mm
F097	Hook lock with latch	35mm
F098	Hook lock	25mm
F099	Hook lock	35mm
F100	Hook lock with anti-lift pin & 42mm cylinder	30mm



F085



F089



F093



F095



F090



F098







F100

GHI CYLINDERS

CODE	TYPE	SIZE
F079	Euro	60mm
F077	Euro	65mm
F078	Euro thumb turn	60mm
F031	Oval thumb turn	60mm
F032	Small oval for F089	60mm



GHI SLIM-LINE SPRING-LOADED HANDLES

CODE	COLOUR
F051	Natural 
F052	Black 
F053	White 
F058	Bronze 



F079



F077



F078



F031



F032



F051 

TAURUS STAINLESS STEEL PULL HANDLES

CODE	DESCRIPTION	DIAMETER	HOLE CENTRES	OVERALL LENGTH	FINISH
F400	D Pull Handle	32mm	300mm	332mm	SSS
F401	D Pull Handle	19mm	130mm	130mm	SSS
F402	D Cranked Pull Handle	32mm	300mm	332mm	SSS
F403	C Cranked Pull Handle	32mm	300mm	332mm	SSS
F404	T Straight Pull Handle	32mm	350mm	500mm	SSS
F405	T Straight Pull Handle	32mm	350mm	500mm	PSS
F406	T Cranked Pull Handle	32mm	350mm	500mm	SSS
F407	S Pull Handle	32mm	400mm	600mm	SSS
F408	Semi-C Pull Handle	32mm	350mm	420mm	SSS
F409	T Miter Handle	32mm	350mm	400mm	SSS
F410	T Miter Handle	32mm	500mm	600mm	SSS
F411	T Straight Handle	32mm	900mm	1170mm	SSS
F412	T Straight handle	25mm	125mm	200mm	PSS
F413	T Cranked Handle	30mm	150mm	400mm	SSS
F414	D Off-set Handle	19mm	130mm	130mm	SSS
F501	Lockable pull handle with key cylinder	SQUARE 35mm	1125mm	1500mm	SSS
F502	Lockable pull handle with thumb turn cylinder	SQUARE 35mm	1125mm	1500mm	SSS



F400



F401



F402



F403



F404



F406



F407



F408



F409



F410



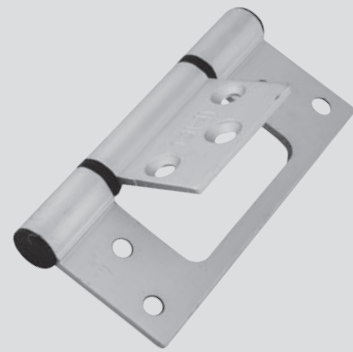
F411



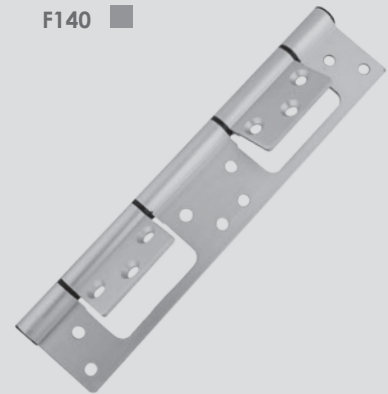
F501

GHI ALUMINIUM REFLEX HINGES

CODE	SIZE	COLOUR	
F140	100mm	Natural	■
F150	100mm	Bronze	■
F160	100mm	Black	■
F165	100mm	White	■
F152	200mm	Bronze	■
F164	200mm	White	■
F166	200mm	Black	■
F167	200mm	Natural	■



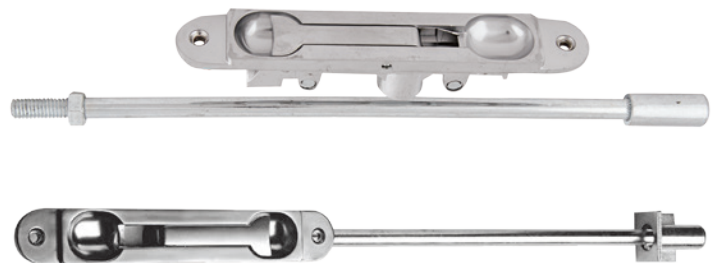
F140 ■



F167 ■

SPARTAN FLUSHBOLTS

CODE	COLOUR	
F101	Satin Chrome	■
F102	Black	■
F103	Bronze	■
F104	White	■



F101 ■

TAURUS DOOR CONTROLS FLOOR SPRINGS

CODE	DESCRIPTION	MAX DOOR WEIGHT	MAX DOOR WIDTH
F170	Double Action 90Deg Hold Open	100kg	1100mm
F172	Double Action Non Hold Open	100kg	1100mm
F171	Double Action 90deg Hold Open with Power adjustment	150kg	1200mm
F173	Single Action Fittings (not for frameless glass doors)	-	-



F173



F170/F172



F171

TECHNICAL INFORMATION





		F170 FLOOR SPRING	F171 FLOOR SPRING
CLOSING FORCE	(Nm) 0°-4°	26-37Nm	13-37Nm
	WIDTH	1000mm	1200mm
MAXIMUM DOOR WEIGHT	WEIGHT	100kg	150kg
	ANGLE	130°	180°
MAXIMUM OPENING HOLD-OPEN	ANGLE	90°/105°	90°/105°
BACKCHECK	FUNCTION	No	Yes
CLOSING SPEED ADJUSTMENT	SPEED 1	90°-15°	90°-15°
	SPEED 2	15°-0°	15°-0°
APPLICABLE	TEMPERATURE	-30° to 45°	-20° to 45°
APPLICATIONS	TIMBER, GLASS AND ALUMINIUM DOORS LEFT AND RIGHT OPENING, SINGLE OR BOTH SIDE OPENING		
FLOORSPRING	WEIGHT	5.3kg	4.55kg
	LENGTH	305mm	285mm
DIMENSION OF BOX	WIDTH	108mm	82mm
	HEIGHT	40.5mm	49.5mm
DURABILITY TEST PASSED	CYCLES	500,000	500,000

ALUMINIUM DOORS

NUFOLD FOLDING DOOR SYSTEMS

NUFOLD "BUTT" STYLE





BOTTOM ROLLER

CODE	COLOUR
SF100	Black 
SF200	Natural 
SF300	Bronze 
SF1000	White 



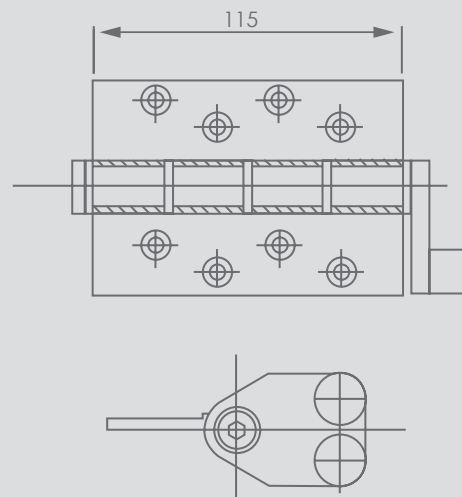
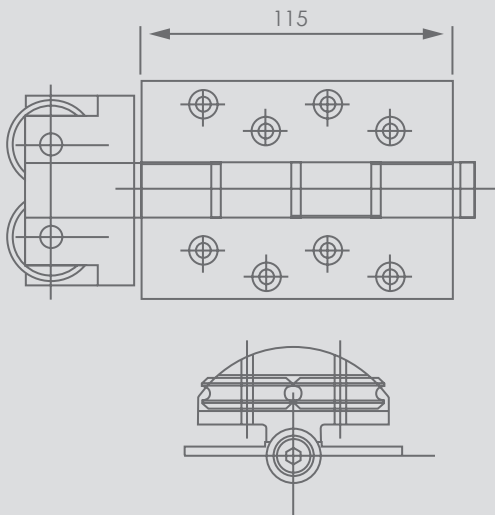
SF200 

TOP GUIDE

CODE	COLOUR
SF101	Black 
SF201	Natural 
SF301	Bronze 
SF1001	White 



SF201 



- 115mm hinge for better fixing
- All components are stainless steel
- Improved design on top guide
- All products coated for hinge consistency

INTERMEDIATE HINGE

CODE **COLOUR**

SF102	Black	■
SF202	Natural	■
SF302	Bronze	■
SF1002	White	□

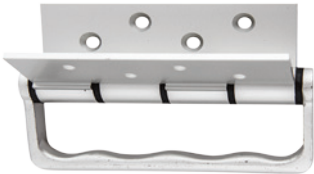


SF202 ■

PULL HANDLE

CODE **COLOUR**

SF103	Black	■
SF203	Natural	■
SF303	Bronze	■
SF1003	White	□



SF203 ■

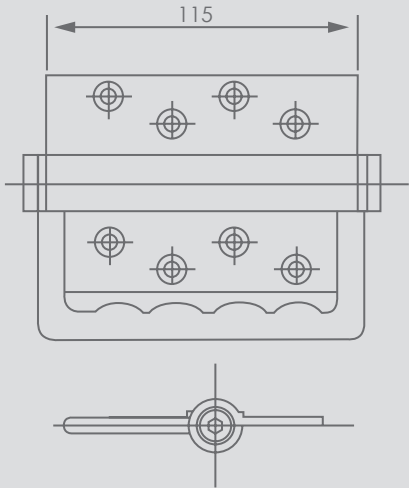
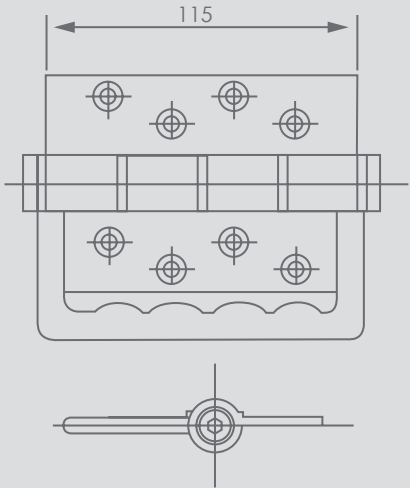
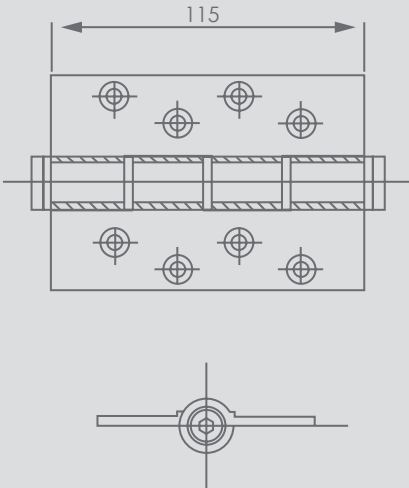
SINGLE-LEAF PULL HANDLE

CODE **COLOUR**

SF104	Black	■
SF204	Natural	■
SF304	Bronze	■
SF1004	White	□



SF204 ■



NUFOLD "SINKLESS" STYLE

BOTTOM ROLLER

CODE	COLOUR	
SF110	Black	■
SF210	Natural	■
SF310	Bronze	■
SF1010	White	□



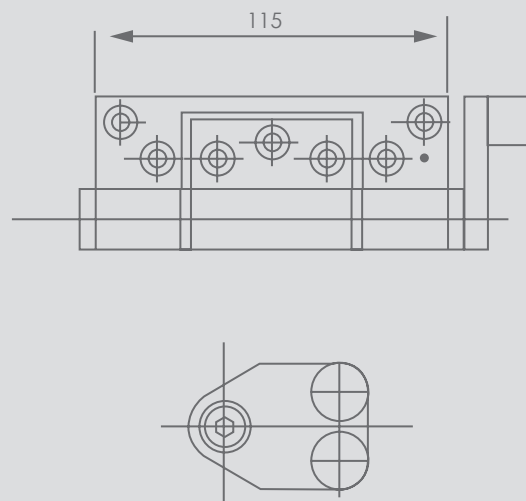
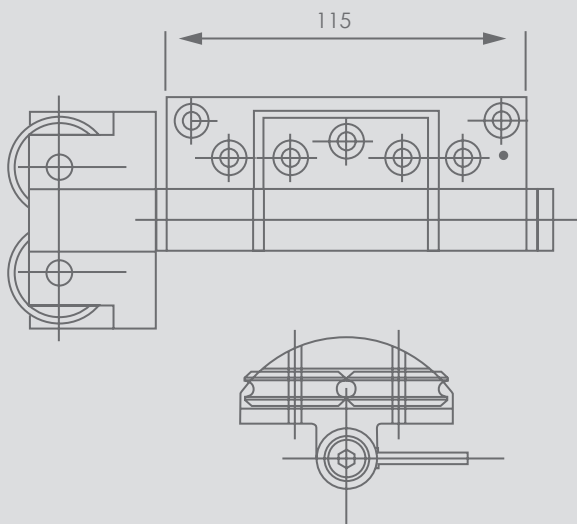
SF210 ■

TOP GUIDE

CODE	COLOUR	
SF111	Black	■
SF211	Natural	■
SF311	Bronze	■
SF1011	White	□



SF211 ■



- 115mm hinge for better fixing
- All components are stainless steel
- Improved design on top guide
- All products coated for hinge consistency

INTERMEDIATE HINGE

CODE	COLOUR	
SF112	Black	■
SF212	Natural	■
SF312	Bronze	■
SF1012	White	□



SF212 ■

PULL HANDLE

CODE	COLOUR	
SF113	Black	■
SF213	Natural	■
SF313	Bronze	■
SF1013	White	□



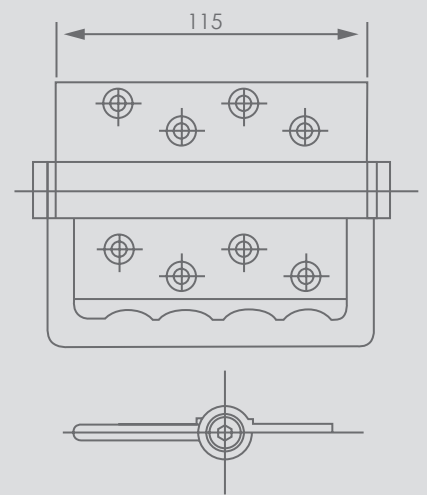
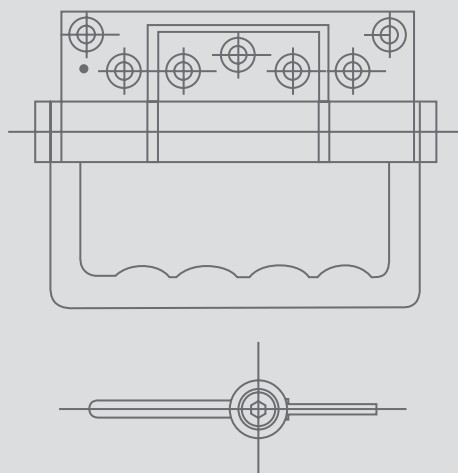
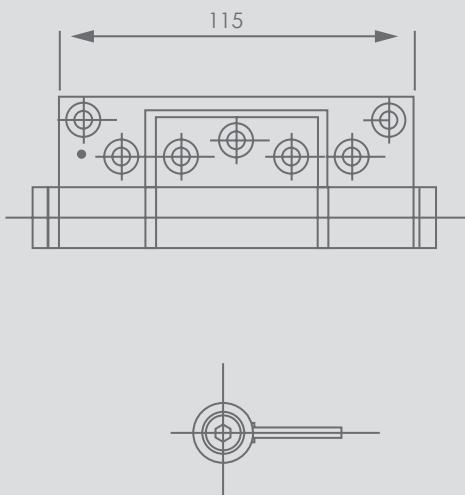
SF213 ■

SINGLE-LEAF PULL HANDLE

CODE	COLOUR	
SF104	Black	■
SF204	Natural	■
SF304	Bronze	■
SF1004	White	□



SF214 ■



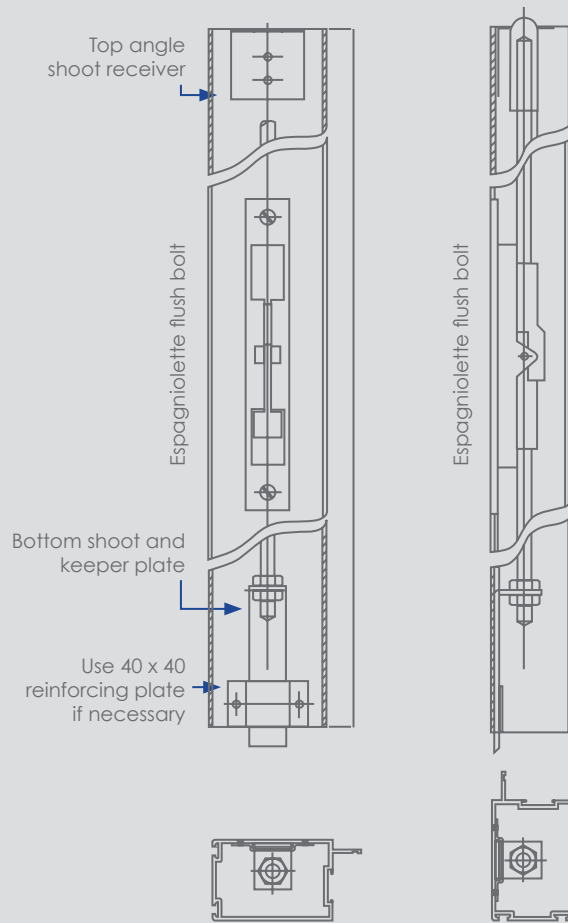
NUFOLD FLUSHBOLTS
ESPAGNIOLETTE



SF012 ■

CODE	COLOUR
SF011	Black ■
SF012	Natural ■
SF018	Bronze ■
SF013	White ■

- To suit 8mm rod
- All components are stainless steel
- Improved design nylon top cap



NUFOLD FLUSHBOLTS
FLAT



SF205 ■

CODE	LENGTH	COLOUR
SF105	150mm	Black ■
SF106	400mm	Black ■
SF205	150mm	Natural ■
SF206	400mm	Natural ■
SF305	150mm	Bronze ■
SF306	400mm	Bronze ■
SF1005	150mm	White ■
SF1006	400mm	White ■

NUFOLD FLUSHBOLTS
HOLD-BACK CATCH



SF020

ALUMINIUM WINDOW

LOUVRES

SINGLE CONTROL

CODE	NO. OF BLADES	HEIGHT
NL2N	2 BLADE	304mm
NL3N	3 BLADE	444mm
NL4N	4 BLADE	584mm
NL5N	5 BLADE	724mm
NL6N	6 BLADE	863mm
NL7N	7 BLADE	1003mm
NL8N	8 BLADE	1143mm

DUAL CONTROL

CODE	NO. OF BLADES	HEIGHT
NL9N	9 BLADE	1283mm
NL10N	10 BLADE	1422mm
NL11N	11 BLADE	1562mm
NL12N	12 BLADE	1702mm
NL13N	13 BLADE	1841mm
NL14N	14 BLADE	1981mm

- Blade Width – 152mm
- Glass thickness – 4mm / 5mm



OLIVÉ SILICONE SEALANTS



OLIVÉ UNIVERSAL SILICONE SEALANT

- Low modulus acetoxy silicone sealant
- Contains anti-fungal agent
- Excellent adhesion on glass and aluminium
- Quick skinning and curing time

OLIVÉ C-22 SILICONE SEALANT

- Low modulus neutral silicone sealant
- Contains anti-fungal agent
- **Excellent adhesion on all surfaces:** concrete, glass, aluminium, PVC, plastics, wood

OLIVÉ 933 SILICONE SEALANT

- Neutral silicone benzamide



OLIVÉ IG-40 SILICONE SEALANT

- One component double glazing silicone sealant
- Specially designed for use as a secondary seal in manufacturing Insulating Glass Units

OLIVÉ SG-71 SILICONE SEALANT

- One component structural glazing silicone

OLIVÉ 707 ACRYLIC SEALANT

- Acrylic sealant used for sealing joints which are exposed to low movement
- Paintable surface after 1 hour

OLIVÉ APPLICATION

TYPICAL APPLICATIONS	UNIVERSAL	C-22	933	IG-40	SG-71	707
GLASS	✓	✓	✓	✓	✓	-
LAMINATED GLASS	-	✓	✓	✓	✓	-
COATED GLASS	-	-	✓	✓	✓	-
MIRROR FIXING	-	✓	-	-	-	-
ALUMINIUM FRAME SEALING	✓	✓	✓	-	-	-
PVC FRAME SEALING	-	✓	✓	-	-	-
BATH & KITCHEN	✓	-	-	-	-	-
EXPANSION JOINTS	-	✓	✓	-	-	✓
PRECAST CONCRETE	-	✓	✓	-	-	✓
MARBLE	-	-	-	-	-	-
POLYCARBONATE GLAZING	-	-	-	-	-	✓
FIRE STOP	-	-	-	-	-	-
HIGH TEMPERATURES	-	-	-	-	✓	-
WOODEN FLOORING	✓	✓	✓	-	-	✓
DOUBLE GLAZING	-	-	-	✓	-	-
STRUCTURAL GLAZING	-	-	-	-	✓	-
CURTAIN WALL	-	✓	✓	-	-	-

TECHNICAL DATA	UNIVERSAL	C-22	933	IG-40	SG-71	707
SKIN FORMING TIME	15min	5min	5min	15min	10min	20min
MOVEMENT CAPABILITY	-	25%	25%	-	-	12.5%
SHORE A HARDNESS	15	17	18	33	35	20
TEMPERATURE RANGE	-40° to 140°C	-40° to 150°	-40° to 150°	-40° to 150°	-40° to 150°	-30° to 80°
PAINTABLE	No	No	No	No	No	Yes
ADHESION ON DAMP	No	No	No	No	No	No
UV RESISTANCE	Yes	Yes	Yes	Yes	Yes	Yes

OLIVÉ's silicones and sealants have been applied in more than **50 countries**, in both forefront architectural and engineering avant-garde projects, covering all the technical requirements and adapting to climatologies needs where applied



LINEAR METER PER 310ML CARTRIDGE
SEALANT PERFORMANCE

		WIDTH OF GAP (mm)							
		3	6	8	10	12	15	20	25
DEPTH OF GAP (mm)	3	33	16	13	10	9	7	5	4
	4	25	13	10	7.5	6.5	5	4	3
	5	21	10	7.5	6.5	5	4	3	2.5
	8	13	6.5	5	4	3	2.5	2	1.5
	10	10	5	4	3	2.5	2	1.5	1.2

SILICONE GUNS



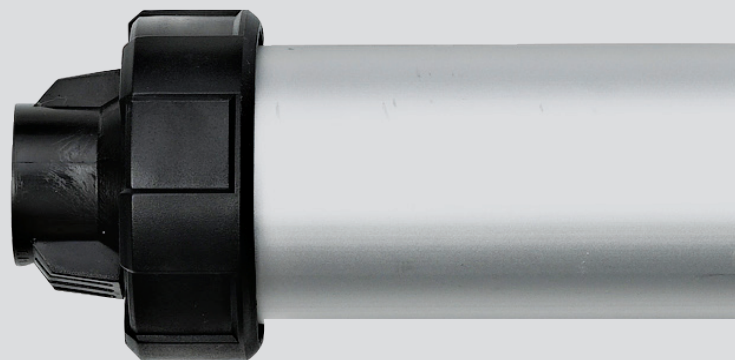
H018



H019

CODE	DESCRIPTION	TUBE SIZE
H018	Wexford skeleton	310ml

CODE	DESCRIPTION	TUBE SIZE
H019	Winchester pneumatic	310ml





H021

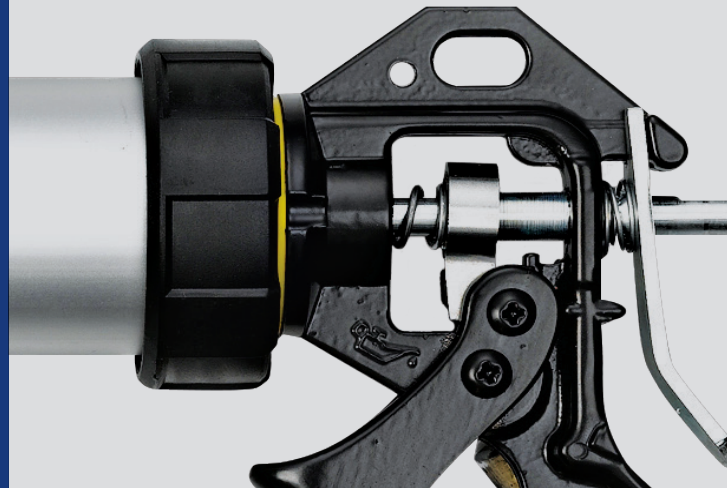


H023

CODE	DESCRIPTION	TUBE SIZE
H021	Avon closed barrel	310ml

CODE	DESCRIPTION	TUBE SIZE
H023	Chilton heavy duty skeleton	310ml

CODE	DESCRIPTION	TUBE SIZE
H020	Sherbourne pneumatic	600ml
H022	Avon closed barrel	600ml



GHI LUBRICANT SPRAYS

GHI LUBRICANT SPRAYS **800 SILICONE LUBRICANT**

- High quality clear silicone lubricant
- Non-marking
- Non-drip
- It will not melt, burn or freeze between temperatures of - 40°C and 280°C



H150



GHI lubricant sprays leave a clear, non-dripping, non-staining film that doesn't stick or make a mess and won't attract dirt. They are ideal for use on cables, pulleys, guide rails, valves, linkages, hinges, locks and more – a multi-tool in a can.

GHI LUBRICANT SPRAYS **801 MULTI-PURPOSE LUBRICANT**

- A multi-tool in a can



H149



TAPES



H207A ■



H302 ■



H404 ■

ALUMINIUM PROTECTION TAPE

CODE	SIZE	COLOUR	
H200	48mm x 100m	Black/white	■
H2011	30mm x 50m	Black/white	■
H207A	48mm x 100m	Yellow (imported)	■
H207B	48mm x 100m	Yellow (local)	■
H2066A	30mm x 50m	Yellow (imported)	■
H2066B	30mm x 50m	Yellow (local)	■

NORTON MIRROR TAPE

CODE	SIZE	COLOUR	
H301	18mm x 1.6mm x 60m	White	■
H302	24mm x 1.6mm x 60m	White	■
H303	18mm x 3.0mm x 30m	White	■
H304	24mm x 3.0mm x 30m	White	■

NORTON GLAZING TAPE

CODE	SIZE	COLOUR	
H401	9mm x 3mm x 15m	Black	■
H403	6mm x 6mm x 15m	Black	■
H404	9mm x 6mm x 15m	Black	■

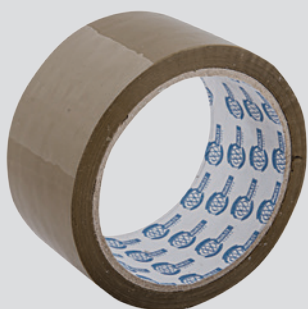
* Other sizes available on request



H701 ■



H801 ■



H901 ■

INSEAL TAPE

CODE	SIZE	COLOUR
H701	15mm x 3.0mm x 30m	Grey
H702	9mm x 3.0mm x 30m	Grey
H703	9mm x 3.0mm x 30m	Black

* Other sizes available on request

MASKING TAPE

CODE	SIZE	COLOUR
H801	18mm x 40m	Beige
H802	24mm x 40m	Beige

* Other sizes available on request

PACKAGING TAPE

CODE	SIZE	COLOUR
H901	48mm x 50m	Brown
H902	48mm x 50m	Clear

* Other sizes available on request



GLASS PROCESSING TOOLS & ACCESSORIES

POLISHING BELTS



L101

GLASS CUTTERS



K100

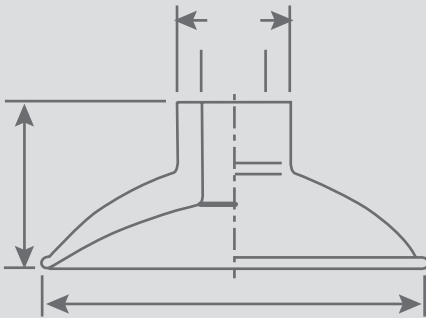


K101

CODE	SIZE	GRIT
L101	30mm x 533mm	80 Grit
L102	30mm x 533mm	60 Grit
L103	30mm x 533mm	120 Grit

* Other sizes available on request

CODE	DESCRIPTION
K100	Standard Glass Cutter
K101	Glass Cutter with tungsten carbide wheel



SUCTION-CUP LIFTERS



CODE	DESCRIPTION
K300	3-cup lifter
K303	2-cup lifter

GLASS PROCESSING TOOLS AND ACCESSORIES AVAILABLE ON REQUEST:

- T-Squares
- Cutting frames
- Speed cutters
- Glass breaking pliers
- Glass oil cutters
- Mirror screws
- Drill bits



GHI
ARCHITECTURAL SOLUTIONS

Gauteng Head Office

t/ +27 11 608 2800

f/ +27 11 608 1652

info@ghi.co.za

7 Enterprise Close, Linbro Business Park, Linbro Park,
2065 / PO Box 330, Kelvin 2054, South Africa

Durban office

t/ +27 31 579 4066

f/ +27 31 579 4062

10 Elmfield Place, Unit 3, Springfield, 4034
Po Box 74015, Rochdale Park, Springfield, 4034

Cape Town office

t/ +27 21 534 0873

f/ +27 21 535 4034

Unit 5, Omupark, Elliot Avenue, Epping II, 7475
Po Box 727, Eppindust, 7475

www.ghi.co.za

0860 BUY GHI (0860 289 444)